

Dryline Thermally Broken Thresholds

This range of thermally broken thresholds is the most innovative product to be brought to the market.

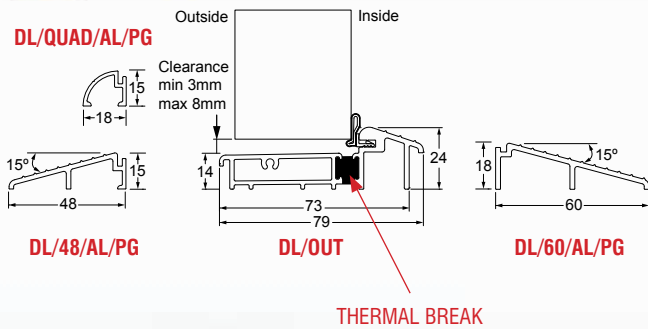
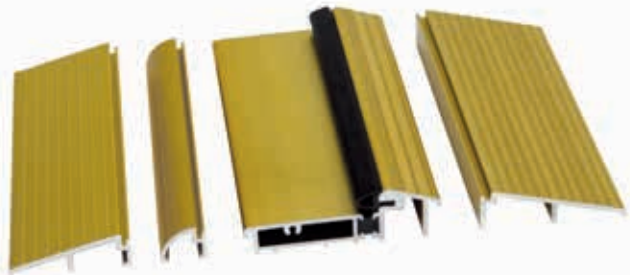
Modular in its design this range of products offer the joiner open in and open out products which can be fitted to comply with part "M". The thresholds can either be fitted to stand alone or with a variety of choices of run up ramps to suit a wide range of applications.

- Thermally broken to meet thermal bridge and insulation requirements
- Designed to fit directly onto level thresholds
- Clip on front and rear ramps to suit most applications
- Non-slip surfaces ensure a safe grip
- Can be fitted to comply with Part "M"
- Precision engineering
- End caps available (PLEASE ASK FOR DETAILS)
- Tested to achieve 150 pascals

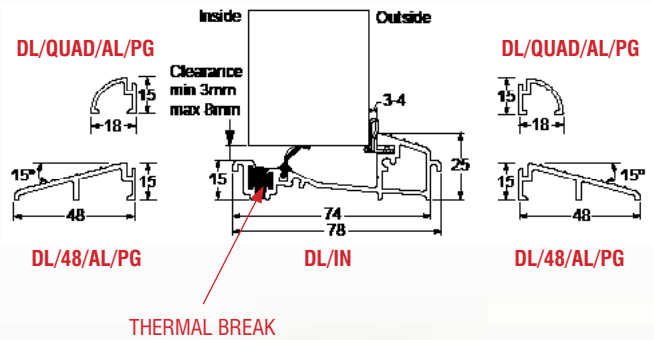
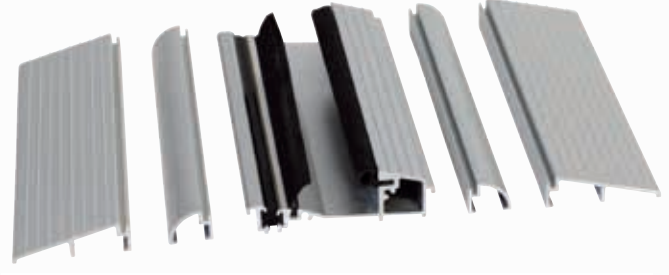
Dryline

THRESHOLDS

The Dryline (DL/OUT)



The Dryline (DL/IN)



1m (ALI or GOLD)

Quantity	DL/OUT	DL/48	DL/QUAD	DL/60
1+	£22.98	£5.50	£5.50	£5.50
5+	£17.68	£4.23	£4.23	£4.23

1m (ALI or GOLD)

Quantity	DL/IN	DL/48	DL/QUAD
1+	£22.98	£5.50	£5.50
5+	£17.68	£4.23	£4.23

2m (ALI or GOLD)

Quantity	DL/OUT	DL/48	DL/QUAD	DL/60
1+	£45.96	£11.00	£11.00	£11.00
5+	£35.35	£8.46	£8.46	£8.46

2m (ALI or GOLD)

Quantity	DL/IN	DL/48	DL/QUAD
1+	£45.96	£11.00	£11.00
5+	£35.35	£8.46	£8.46



PART "M" COMPLIANT



THERMALLY BROKEN



MODULAR SYSTEM