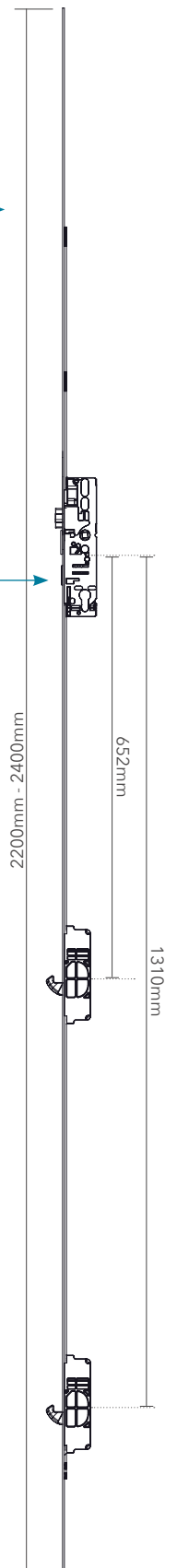
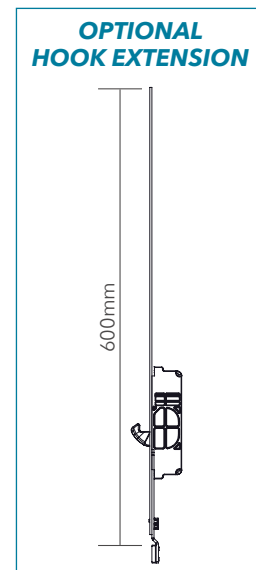
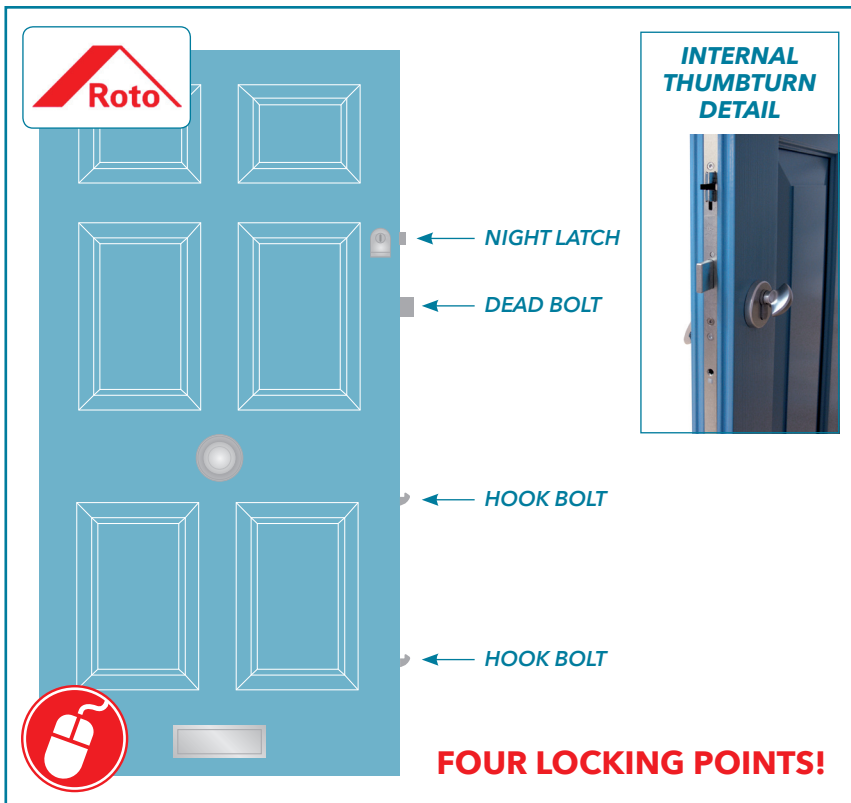


DOOR HARDWARE : TECHNICAL DETAILS



THE **GEORGIAN** MULTI-POINT LOCK

Aesthetic considerations have been underestimated in the past. The innovative Georgian Multi-Point Door Lock has been designed with this in mind, giving your door a more elegant and traditional look with all the benefits of a multi-point locking system.



- ✓ Designed to meet PAS24 requirements when tested on appropriate frames from an approved UCAS test house
- ✓ Simplicity of a traditional rim style lock with the security benefits of a multi-point locking system
- ✓ Elegant sightlines, from an innovative and unique door locking solution
- ✓ 2 locking hook bolts with offset latch and dead bolt
- ✓ No handle set required, operates with thumb turn cylinder and security escutcheon
- ✓ Easy entry/exit via cylinder operation
- ✓ Manual sliding snib for latch retention, preventing door from latching when in constant use
- ✓ Soft latch as standard, providing a smooth door closing
- ✓ Available in 45mm backset
- ✓ Cylinder pull and escutcheon available in Satin Chrome, Polished Chrome & Polished Brass
- ✓ For taller doors use the hook extension TDKGP/EXT with TDK KSST keep
- ✓ RotoSil (silver finish) for high corrosion resistance in accordance with BS EN 1670:2007 part 5.6, grade 5 - 480 hours building hardware corrosion resistance



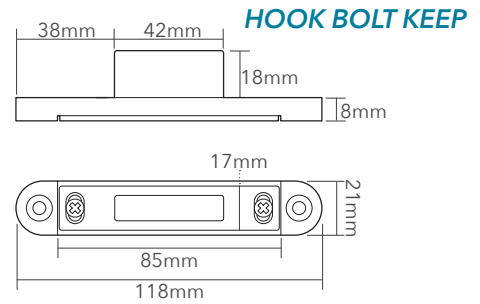
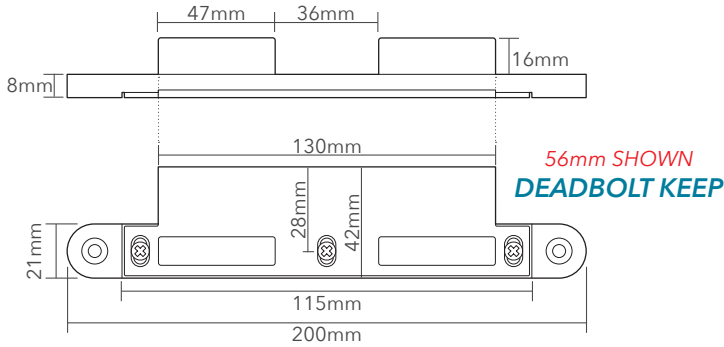
WESTWARD™



- 2 x bolt latch and deadbolt locking with sliding snib latch retainer
- For use with Euro Thumb Turn cylinder and security escutcheon
- Compatible with our range of radius fully adjustable keeps

TDK KS56/44 Keep Set

KEEP SET INCLUDES: 1 x LATCH DEADBOLT KEEP and 2 X HOOK BOLT KEEPS



LATCH REVERSAL

- 1 Insert allen key / drill bit
- 2 Push against gearbox to release inner spring
- 3 Pop out latch
- 4 Turn latch for preferred handed
- 5 Push and click back into position

